



# Octagonal Poles and Engineering Pvt. Ltd.



**INSTANT  
LIGHTING  
SOLUTION**

**ISO CERTIFIED:** ISO 9001 : 2015 | MSME REGISTERD

 [www.octagonalpoles.co.in](http://www.octagonalpoles.co.in)



## **ABOUT US**

Over the last two generations of hard work, determination, and commitment to quality, We have become the leading group in the Pole Manufacturing industry in India.

We established our first company in 2010 as Swaged Tubular Poles manufacture followed by Octagonal and High Mast Poles in 2015. Today, we offer a wide range of Decorative Poles and LED Lighting luminaires in India.

With almost 15 years of excellence, OPE is a well-known brand in pole manufacturing in India. We deliver quality products to the Government, Semi-Government Entities, Industries, Warehouses, Housing Societies, Fuel Filling Stations and Private Sectors across all of India.

We manufacture high-quality products in accordance with industry standards. Our facilities are equipped with state-of-the-art machinery, including CNC Plasma Cutting Machines, CNC Press Brakes, CNC Pole Closing SAW Welding Machines, and various other machines used in the manufacturing of Decorative Poles and Luminaires. Additionally, We have a highly skilled team of experienced and qualified engineers. Our in-house design and R&D Department continuously work on developing new designs. Some of these designs are featured in this catalog cum price list.

From Octagonal Poles to Decorative Poles and LED Outdoor Lighting Luminaires to LED Indoor Lighting Luminaires, we offer a wide range of products for our customers with on-time delivery, wherever and whenever you need them. Additionally, we can manufacture products according to customer requirements and designs.

# TABLE OF CONTENT

---

○ SALIENT FEATURES	1
○ LIST OF MACHINERY	2
○ SPECIAL FEATURE & ADVANTAGES	3
○ HIGH MAST TECHNICAL FEATURE & SPECIFICATIONS	4-5
○ HOT DIP GALVANIZED OCTAGONAL POLES	6
○ OCTAGONAL POLE TECHNICAL SPECIFICATIONS	6
○ FLAG MAST POLE SPECIFICATIONS	7
○ CANTILEVER POLE, SOLAR LIGHT POLE, STADIUM MAST & SIGNAGE POLE	8-9
○ DECORATIVE BRACKETS	10-12
○ SWAGED STEEL TUBULAR POLES	13-15
○ ISO & MSME CERTIFICATES	16



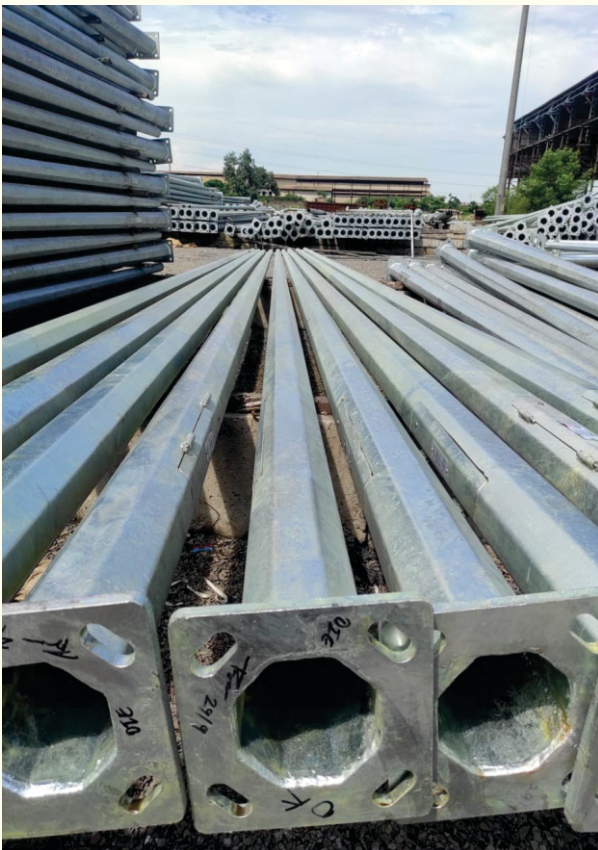
## SALIENT FEATURES

We provide **SPECIAL DESIGNS** for stadiums, Traffic Junctions, Airports, Seaports, Railways, etc., and have completed **SEVERAL LIGHTING PROJECTS.**

- 1) Production Capacity: Capable of manufacturing 2,00,000 Octagonal, High Mast, and Decorative Poles annually.
- 2) Optimized Design: Utilizes high tensile steel for economical and efficient mast structures.
- 3) Market Presence and Growth: Continuously expanding market presence with a dealer network and dedicated support team.
- 4) Advanced Manufacturing Equipment: Operates with fully automatic machines for precise fabrication processes.
- 5) Customer-Centric Approach: Values customer feedback, offers tailored designs, and specializes in projects conforming to Indian/international standards, with in-house engineering expertise.

## MANUFACTURE QUALITY CONTROL, RAW MATERIAL AND OTHERS

OPE's manufacturing division, equipped with advanced Automatic CNC- Controlled Machinery, ensures precise fabrication of High Masts and Octagonal poles to meet diverse customer needs and standards. Direct sourcing of High Tensile Steel and Zinc from manufacturers guarantees quality and enhances customer acceptance. In-house Mechanical and Chemical Testing facilities, supervised by QA Engineers, maintain high standards for materials and products. Safety engineers oversee worker safety and provide site execution guidelines, while all workers are insured for peace of mind. Direct marketing through trained staff reduces costs, enabling competitive pricing. Our strong reputation and approvals from various authorities highlight our reliability. We prioritize strict adherence to quality, sourcing materials from nationally reputed suppliers. With a capacity of 100,000 poles per annum, equipped with integrated quality assurance systems, we maintain a competitive edge in the market.



# LIST OF MACHINERY



**RAW MATERIAL STOCK**



**AUTOMATIC CNC AIR PLASMA SHEET CUTTING MACHINES**



**AUTOMATIC CNC AIR PLASMA BASE PLATE CUTTING MACHINES**



**AUTOMATIC CNC PRESS BRAKE WITH LASER BEAM MACHINES**



**POLE STRAIGHTENING**



**BASE PLATE FABRICATION**



**PACKING & DISPATCH**



## HOT DIP GALVANIZED OCTAGONAL & HIGH MAST POLES

### SPECIAL FEATURE AND ADVANTAGES:

1. Using High Tensile Steel conforming to BSEN, IS & ISO Standards
2. Automated fabrication with the help of CNC operated machine for fast and accurate finishes.
3. SAW welding only one longitudinal welding.
4. Poles comes with Hot Dip Galvanized for longer life, no need to paint every year.
5. Poles having internal junction box, no need to external junction box.
6. Easy to Install & Easily relocation is possible.
7. Maintenance Free



HISAR, HRY.

### DESIGN, STANDARD FOLLOWED AND MATERIAL SPECIFICATIONS :

- 1 ▶ IS: 875 PART 3
- 2 ▶ BS 5649-1985 (EN40-2)
- 3 ▶ Mast & Pole Shaft – BSEN 10025 / IS: 2062
- 4 ▶ Foundation – IS: 2062 Gr. E250A
- 5 ▶ Base Plate – IS: 2062 Gr. E250A
- 6 ▶ Galvanization – IS 4759/2629

### AREA OF APPLICATIONS

ROADS & STREETS

RAILWAY STATION

AIRPORT

GARDEN

SPORTS COMPLEX

SHOPPING CENTER

HOTEL & RESTAURANTS

PRIVATE SECTOR



ALLAHABAD, UP



Octagonal Poles

## HIGH MAST TECHNICAL FEATURES

Continuous tapered polygonal cross section gives Mast Strength oscillation to bear wind speed and related design takes care of all types of related stress fully.

### IMPORTANT TECHNICAL FEATURES

#### FIXED TYPE HEAD FRAME

Non corrosive aluminum pulley system is design with larger dia. For providing longer life and perfect balancing.

#### WINCHES

Winch designed with gear ratio 53:1 and without break or clutches. These are self lubricated for sustained trouble free life. We are providing winches of bronze treated which adds to its life and trouble free service.

#### HIGH MAST FINISH

To provide longer life the Mast with all its components is given anti rust treatment and fully hot galvanized treatment.

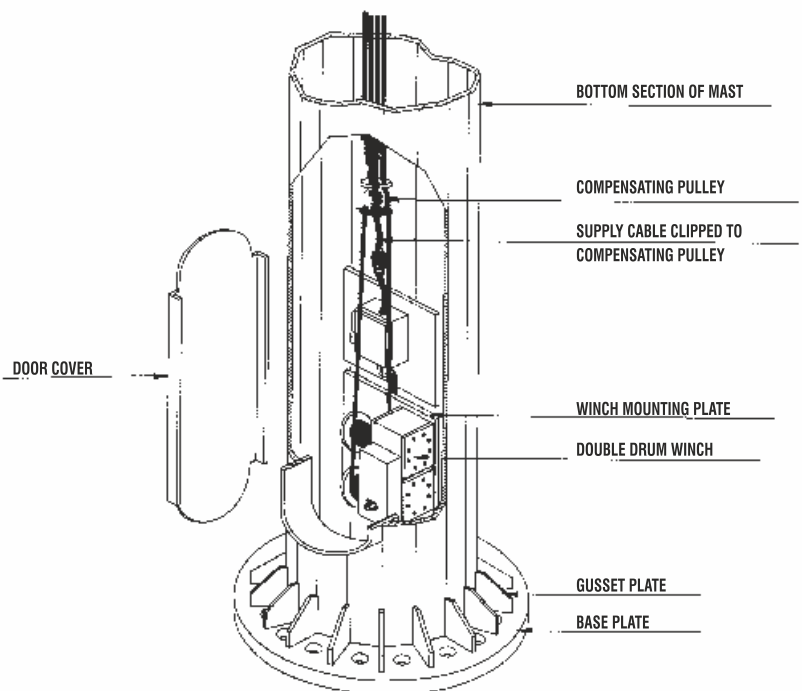
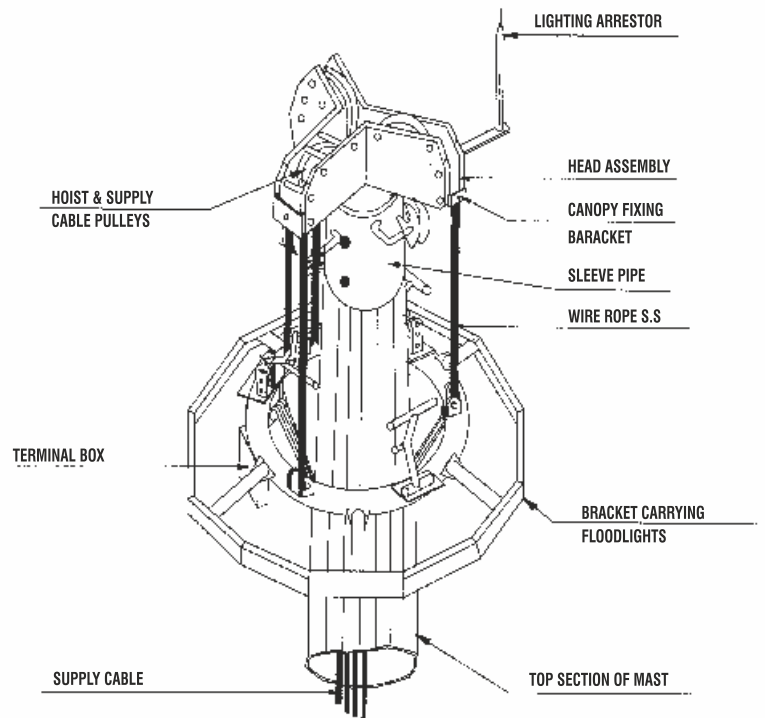
#### LANTERN CARRIAGE

We specialize in custom built design, standard lighting design and numerous types and shapes. The lantern carriage is supported with three numbers flexible 6/8 sq.mm. S.S. wire ropes from the distributors that can be elevated / lowered electrically as well as mechanically. Our competitors are providing 2 wires stay which is not as sturdy and balanced as provided by us.

#### OPTIONAL

The mast can be supplied with timer/photo sensor panel for auto control as per choice/requirement of the customers.

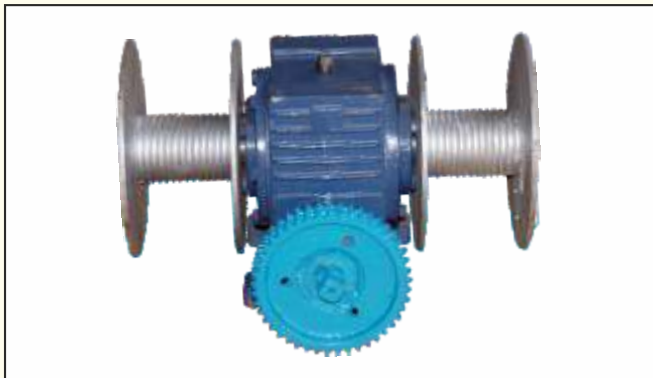
## ACCESSORIES



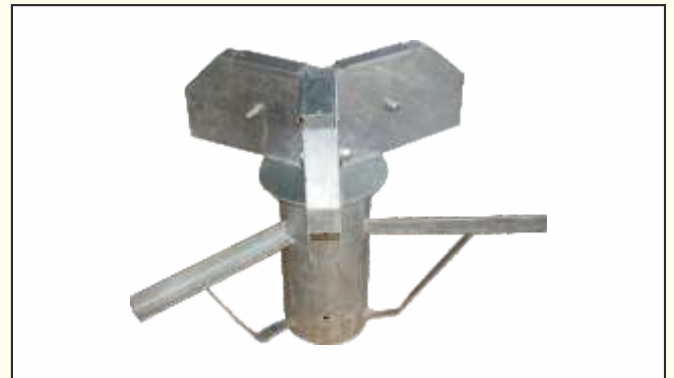
## HIGH MAST TECHNICAL FEATURES

Description	Cat No.	No. of Sections	Thickness	Individual Section's Length	Base & Top Dia (OAF)	Thickness of Galvanization (Average)	Size of Base Plate Diameter	Size of Base Plate Thickness	PCD of Base Plate	Foundation Bolts	No. of Ropes/ Thickness
12.5 MTR	OPE0120	2	3 MM	6250 MM	300/120	70 Microns	500 MM	16 MM	440	24x750x6	3Nos./6mm
12.5 MTR	OPE0125	2	3 MM	6250 MM	340/150	70 Microns	500 MM	20 MM	440	24x750x6	3Nos./5mm
16 MTR	OPE0161	2	3 MM	8300 MM	360/150	70 Microns	520 MM	20 MM	460	24x750x8	3Nos./6mm
16 MTR	OPE0162	2	4,3 MM	8300 MM	410/150	70 Microns	570 MM	20/25 MM	490	24x750x8	3Nos./6mm
20 MTR	OPE0201	2	4,3 MM	10350 MM	410/150	70 Microns	570 MM	20/25 MM	490	30x850x8	3Nos./6mm
20 MTR	OPE0202	2	4,3 MM	10350 MM	460/150	70 Microns	640 MM	20/25 MM	540	30x850x8	3Nos./6mm
25 MTR	OPE0250	3	4,4,3 MM	8833 MM	460/150	70 Microns	640 MM	25/30 MM	540	30x850x10	3Nos./6mm
25 MTR	OPE0250	3	5,4,3 MM	8833 MM	540/150	70 Microns	730 MM	30 MM	640	30x850x12	3Nos./6mm
30 MTR	OPE0302	3	4,4,3 MM	10500 MM	540/150	70 Microns	730 MM	30 MM	640	30x850x12	3Nos./6mm
30 MTR	OPE0303	3	5,4,3 MM	10500 MM	600/150	70 Microns	800 MM	30 MM	700	30x850x12	3Nos./6mm

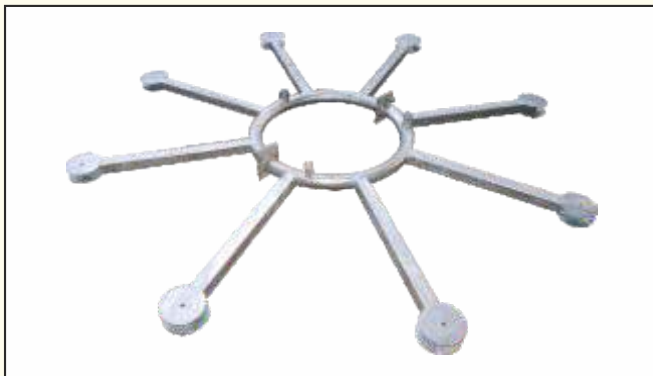
## ACCESSORIES



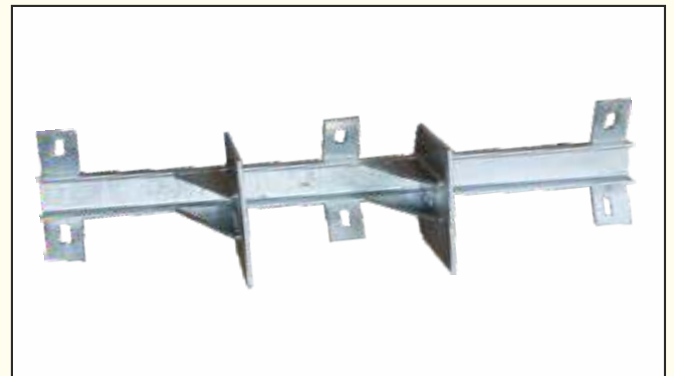
**WINCH**



**HEAD FRAME**



**LANTERN CARRIAGE**



**WINCH STAND**

**NOTE:** High Mast can also be manufactured for other Customized Specifications.

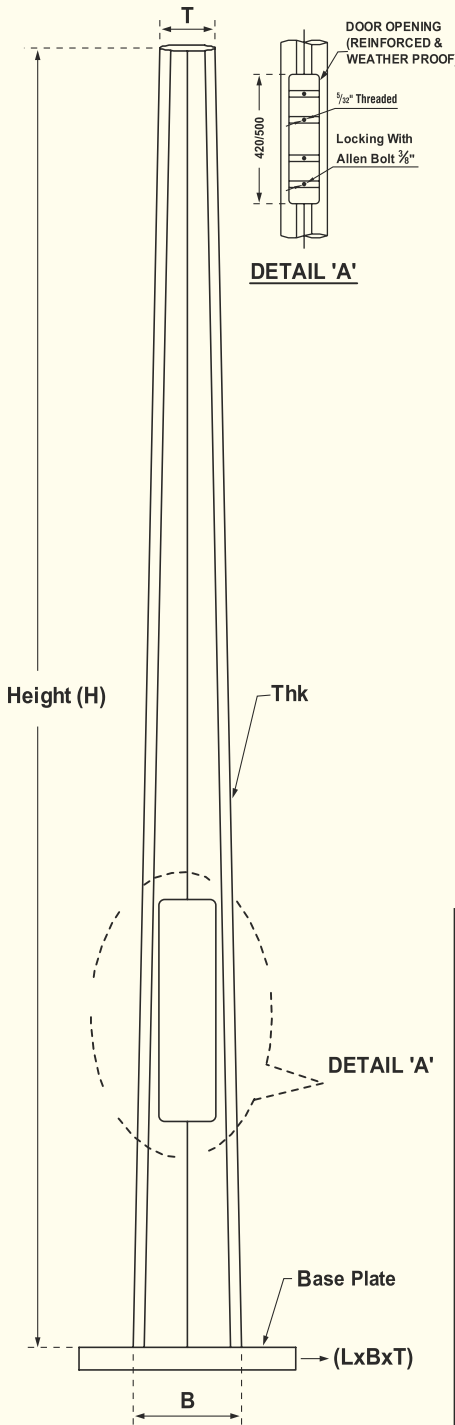


Octagonal Poles

# HOT DIP GALVANIZED OCTAGONAL POLES

We are the leading manufacturer of galvanized octagonal poles, which are generally used as street lighting poles. These poles are fabricated using finest quality raw material and are appreciated for precise dimension and corrosion resistance. We strictly check these poles at all stages. With the help of our expert professionals

## STANDARD SPECIFICATIONS



CAT No.	HEIGHT (MTR.) (H)	TOP DIA. (MM) (T)	BOTTOM DIA. (MM) (B)	SHEET THK. (MM)	BASE PLATE (LxBxT) MM	BOLT SIZE (Nos.xDia.xL)
OPE3030	3	70	130	3	200x200x12	4x16x450
OPE4030	4	70	130	3	200x200x12	4x16x450
OPE5030	5	70	130	3	200x200x12	4x16x600
OPE6030	6	70	130	3	220x220x12	4x20x600
OPE7030	7	70	130	3	220x220x12	4x20x600
OPE8035	8	70	130	3	220x220x12	4x20x600
OPE8020	8	100	200	3	300x300x16	4x24x750
OPE9030	9	70	130	3	220x220x12	4x20x700
OPE9055	9	70	155	3	260x260x16	4x24x750
OPE9020	9	100	200	3	300x300x16	4x24x750
OPE1055	10	70	155	3	260x260x16	4x24x750
OPE1075	10	70	175	3	275x275x16	4x24x750
OPE1020	10	100	200	3	300x300x16	4x24x750
OPE1175	11	70	175	3	275x275x16	4x24x750
OPE1110	11	90	210	3	310x310x16	4x24x750
OPE1210	12	90	210	3	310x310x16	4x24x750

### NOTE :

1. Octagonal poles can also be manufactured for other customized specification.
2. Octagonal poles have a galvanizing thickness of 65 Microns.
3. Different type of bracket are available for single, twin, triple luminaries & Four in various designs shown on page no. 11-13 and also as per customer requirement.
4. As per todays trend solar poles are highly in demand. We can provide them as per customers requirement & specifications.
5. We are manufacturing Octagonal Canti Lever/Traffic Light Poles also to meet market demand.

**DETAILED DIMENSION  
AS PER TABLE**

## STANDARD FLAG MAST SPECIFICATIONS

Height	Bottom & Top Dia.	Sheet Thk.	Size of Base Plate	PCD	Base Plate Thk.	Foundation Bolts
12.5 Mtr.	360/150	3,3 MM	520 MM	460	25 MM	24x830x6
16 Mtr.	410/150	4,3 MM	570 MM	490	30 MM	30x850x8
20 Mtr.	410/150	4,3 MM	570 MM	490	20/25 MM	30x850x8
25 Mtr.	540/150	5,4,3 MM	730 MM	640	30 MM	30x850x12
30.5 Mtr.	540/150	5,4,3 MM	730 MM	640	30 MM	30x850x12
35 Mtr.	610/150	5,4,4,4 MM	820 MM	700	30 MM	30x850x12



## CANTILIVER POLE



Traffic Light Poles engaged in premium quality Signal Lighting Poles. These high-profile signal support poles are designed to offer optimum performance in all environments. We supply pole with different heights that is depend as per client requirement.

### SPECIFICATIONS:

- We can provide the customized designs as per requirement.
- Can withstand high pressure wind & Corrosion resistance.
- MS/GI Pipe with PU Painted/ Galvanised Finished.
- Mounted as Foundation erected.

## SOLAR LIGHT POLE



Our firm is involved in manufacturing and supplying a huge range of Solar Lighting Poles. We design the given product following industrial standards by making use of best quality material and modern technology. Poles Solar power is a new way of generating energy. Because of this, people in the current world are finding it to be an interesting option as it lowers the cost of utilities and helps to reduce your carbon footprint. People across the globe are adopting solar as a medium of energy generation due to many reasons.

**Material:** MS, GI.

**Lighting Type:**Flourescent, LED, Incandascent

**Size:** 2 meter to 6 meter.

**Irection Type:**Foundation/ Burial



Octagonal Poles

## STADIUM HIGH MAST

We used quality materials in the manufacturing process for significant impact on the durability and performance of the stadium high mast and signage pole. We always make sure to use high-quality materials and designed to withstand harsh weather conditions, resist corrosion and maintain their structural integrity over time.

High Mast are tall structures that need to be designed and manufactured with safety in mind. We are followed all relevant safety regulations and standards and use appropriate safety equipment during the manufacturing process.

## SIGNAGE POLE



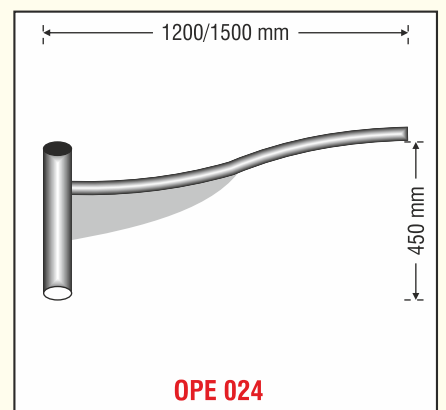
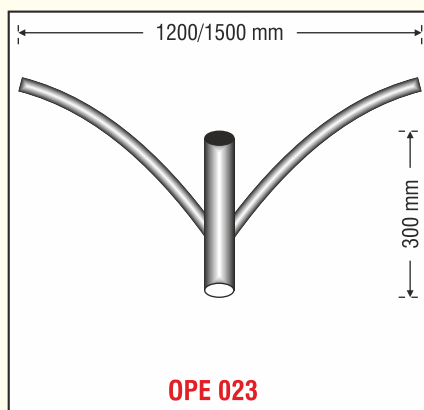
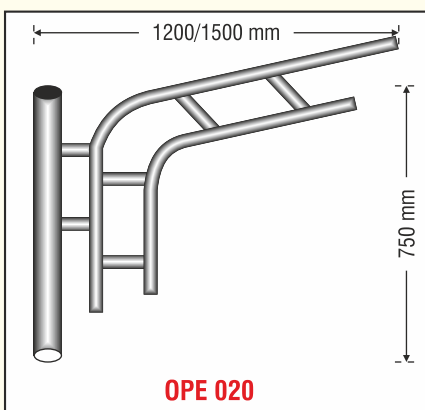
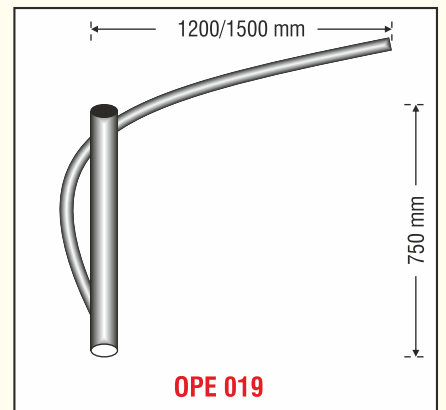
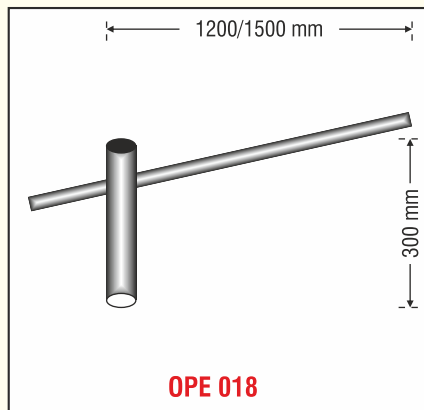
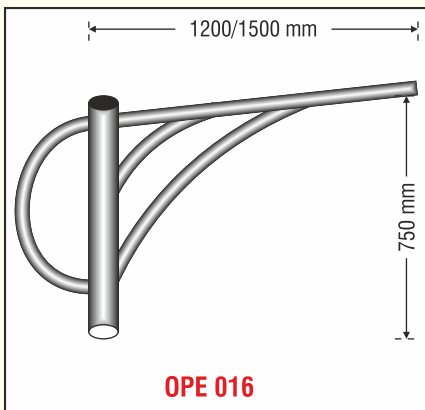
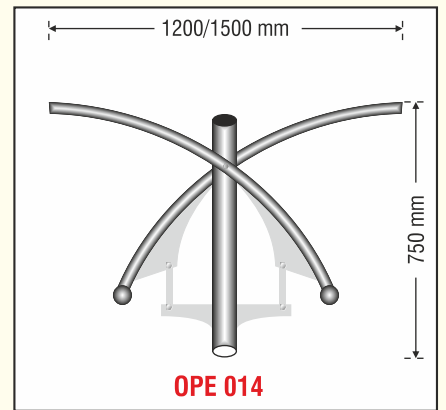
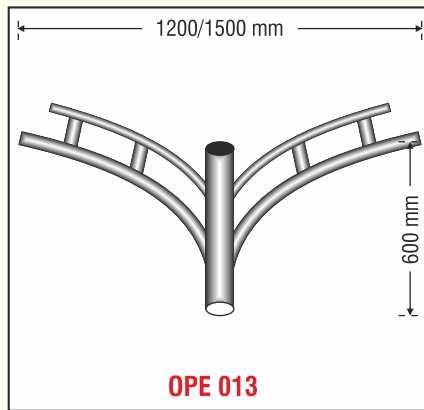
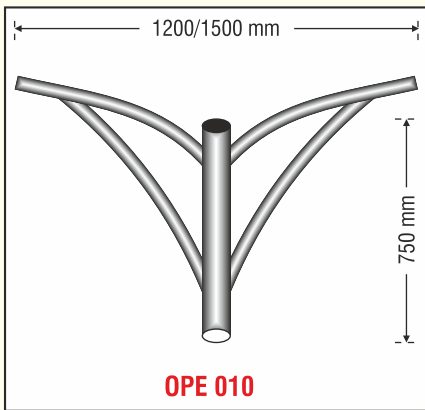
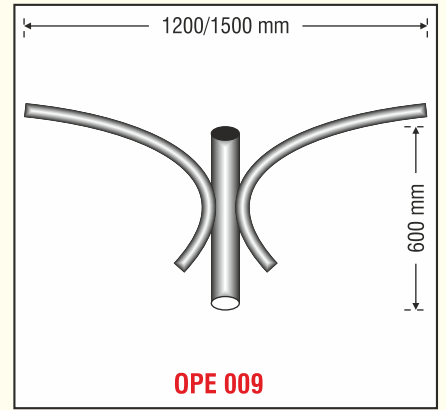
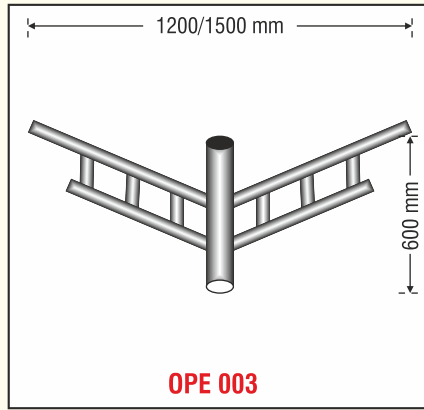
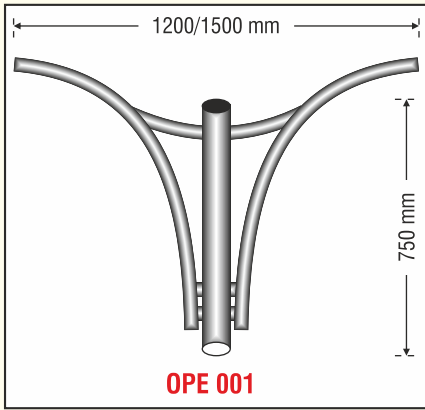
Octagonal Poles

**Octagonal Poles  
& Engineering  
Pvt. Ltd.**

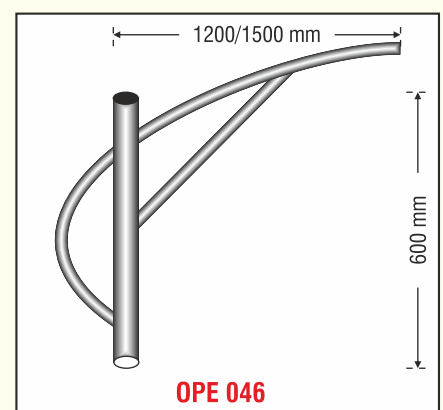
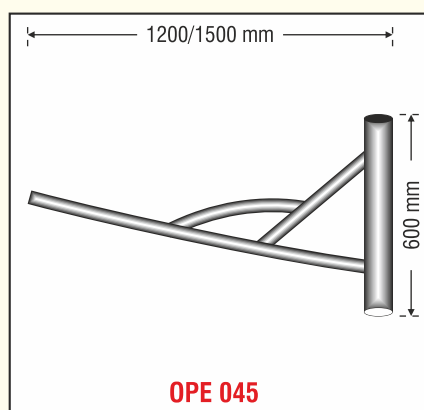
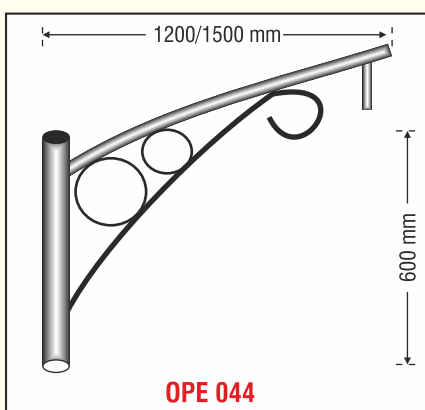
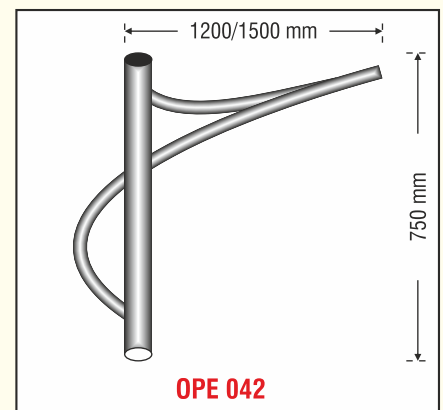
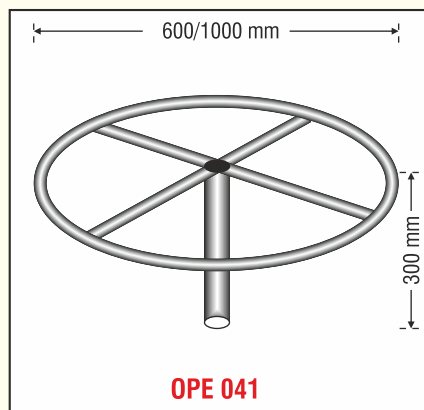
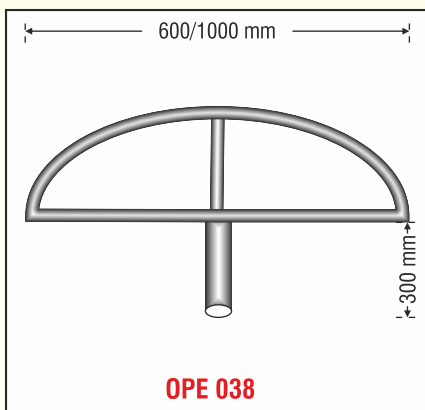
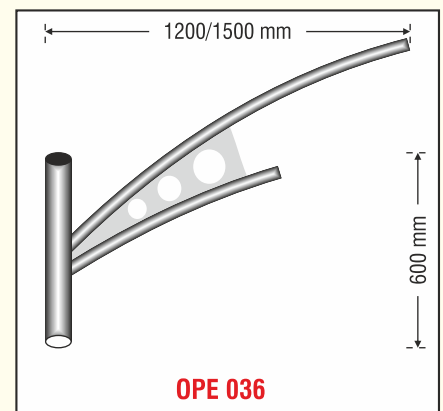
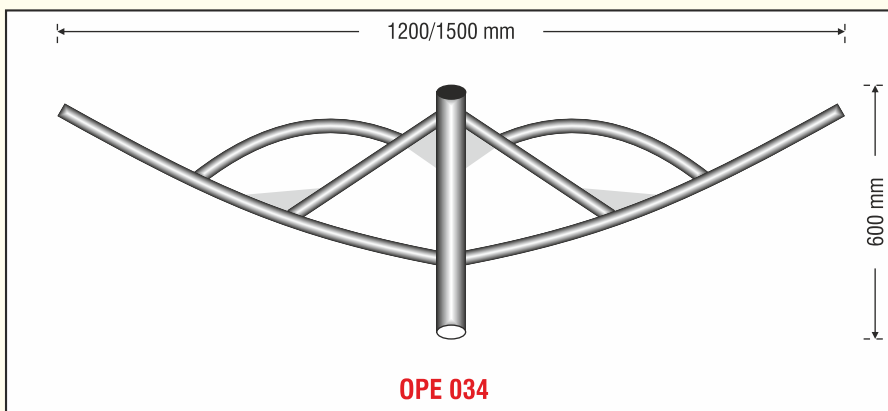
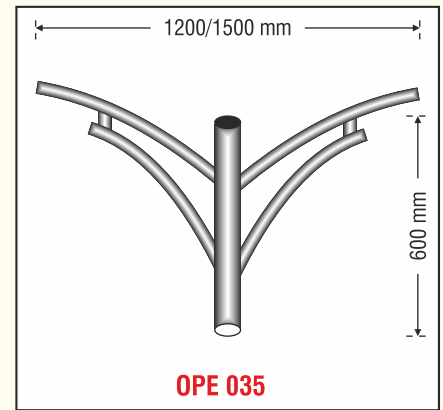
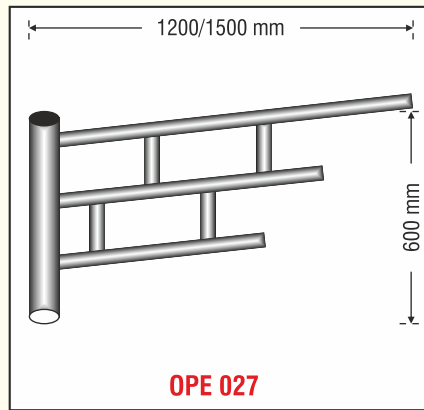
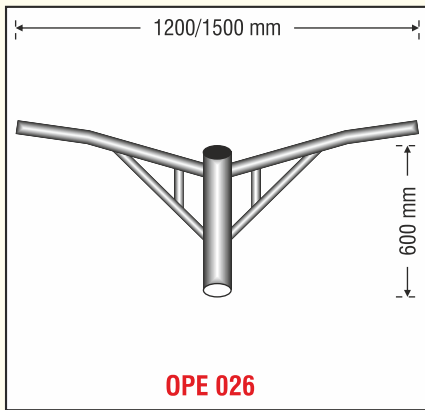


Octagonal Poles

## DECORATIVE BRACKETS



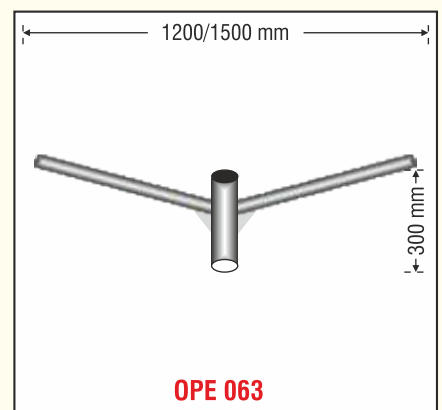
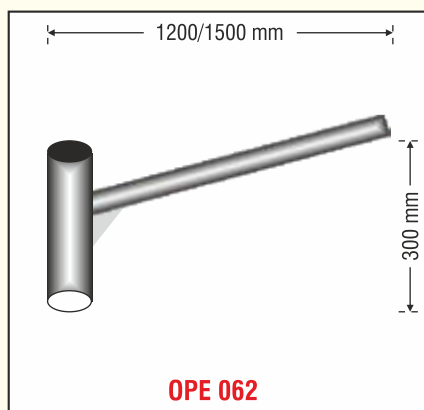
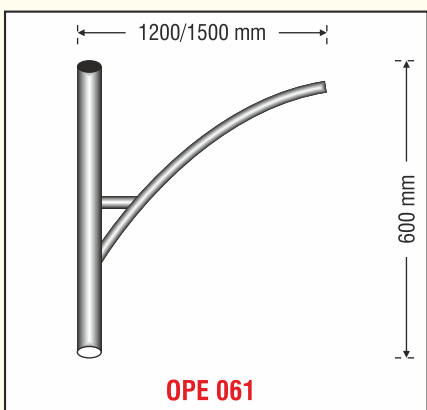
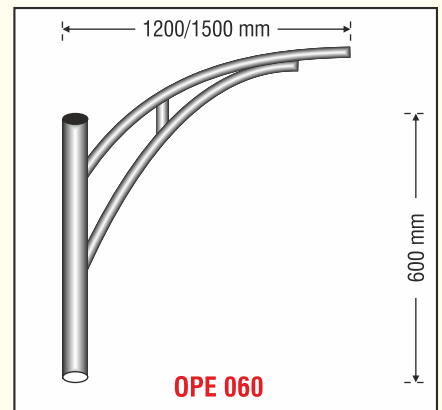
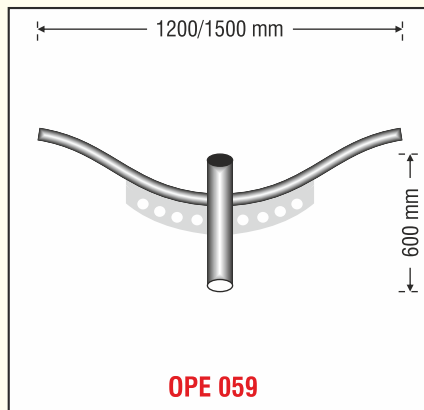
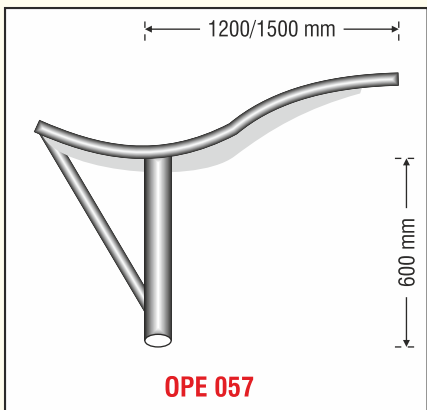
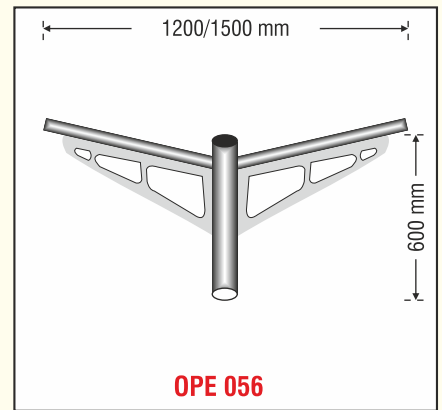
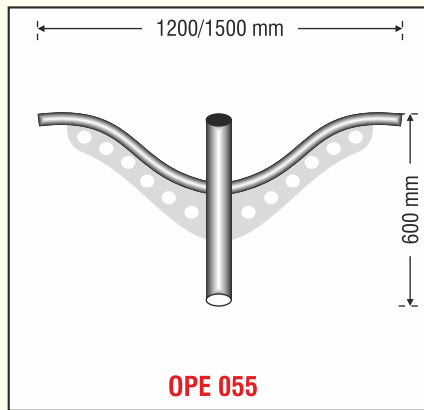
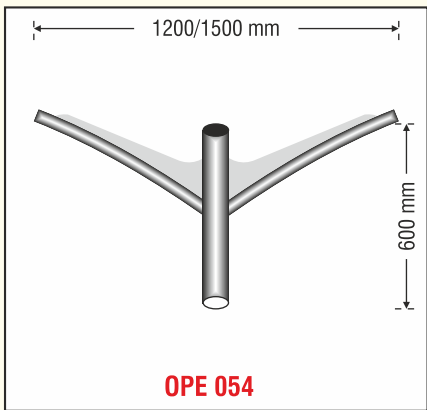
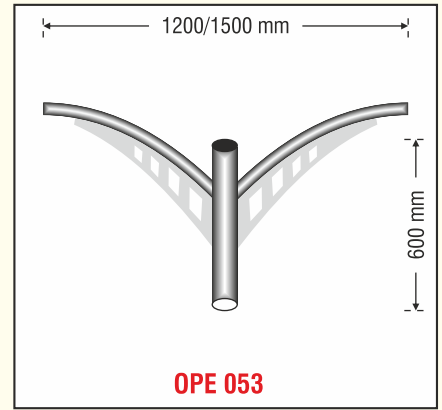
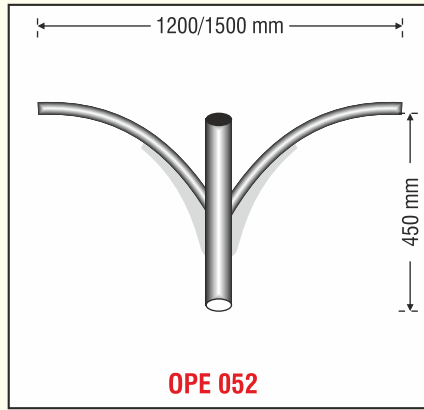
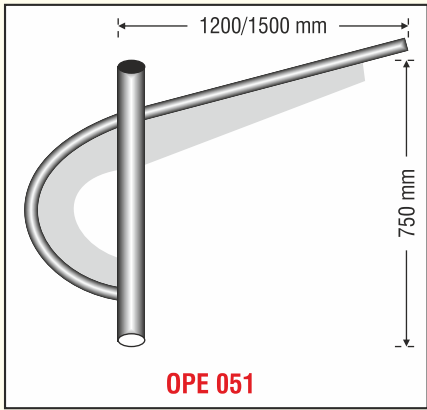
## DECORATIVE BRACKETS





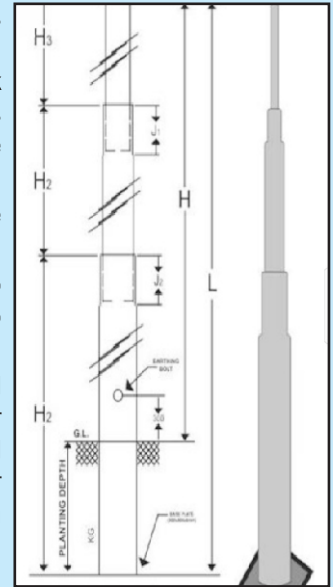
Octagonal Poles

# DECORATIVE BRACKETS



# SWAGED STEEL TUBULAR POLES

- MANUFACTURING PROCESS:** Swaged poles are manufactured from E.R.W./Welded tubes of suitable lengths swaged & joined together. No circumferential joint shall be permitted in the individual tube lengths of poles. The longitudinal welds shall be staggered at each swaged joint. Swaging is done by Hydraulic Power Pack Unit. A circumferential weld shall be deposit at the upper end of the joint at aslope of approximately 45° poles are manufactured by us normally conform to As per IS 2713 (P-II)-1980 and special sizes poles can also be manufactured by as per customer drawings or requirements.
- EARTHING ARRANGEMENT:** If earthing arrangement is required, a bolt of 10 mm dia is welded on each pole at a height of 300 mm above the planting depth or can be provided as per customer's requirement.
- QUALITY CONTROL:** We have arrangement for strict quality control right from the receipt of raw material upto the final stage. The outside diameter, thickness, length of sections and the length of the pole controlled to come within the required specification.
- ADVANTAGE:** Steel tubular Poles are the most efficient and economical source for carrying the overhead transmission and overhead distribution lines which no other source can take place. Owing to the circular cross section, the poles with stand torsional stresses much better. Cylindrical surface offers minimum wind resistant and due to their elasticity, can take all sorts of shocks, cyclones, Thrust lines breakage etc. for better than any other type of poles. Bring light weight permits easy handling, transportation, low depth erection and less maintenance cost which insured the greatest economy of steel tublar poles.



## AS PER IS : 2713 (PART-II) 1980

DESIGNATION	OVER ALL LENGTH	PLANT-ING DEPTH	LOAD APPLIED FROM TOP DISTANCE	HEIGHT ABOVE GROUND H	LENGTH OF SECTIONS			OUTSIDE DIAMETER & THICKNESS OF SECTIONS			APPROX WEIGHT OF POLE
					BOTTOM H <sub>3</sub>	MIDDLE H <sub>2</sub>	TOP H <sub>1</sub>	BOTTOM	MIDDLE	TOP	
1	2 (Mtr.)	3 (Mtr.)	4 (Mtr.)	5 (Mtr.)	6 (Mtr.)	7 (Mtr.)	8 (Mtr.)	9 (MM)	10 (MM)	11 (MM)	12 (Kg.)
410SP – 1	7.00	1.25	0.30	5.75	4.00	1.50	1.50	114.3x3.65	88.9x3.25	76.1x3.25	62
410SP – 2	7.00	1.25	0.30	5.75	4.00	1.50	1.50	114.3x4.50	88.9x4.05	76.1x3.25	73
410SP – 3	7.00	1.25	0.30	5.75	4.00	1.50	1.50	114.3x5.40	88.9x4.85	76.1x3.25	85
410SP – 4	7.50	1.25	0.30	6.25	4.50	1.50	1.50	114.3x3.65	88.9x3.25	76.1x3.25	67
410SP – 5	7.50	1.25	0.30	6.25	4.50	1.50	1.50	114.3x4.50	88.9x4.05	76.1x3.25	79
410SP – 6	7.50	1.25	0.30	6.25	4.50	1.50	1.50	114.3x5.40	88.9x4.85	76.1x3.25	93
410SP – 7	7.50	1.25	0.30	6.25	4.50	1.50	1.50	139.7x4.50	114.3x3.65	88.9x3.25	97
410SP – 8	7.50	1.25	0.30	6.25	4.50	1.50	1.50	139.7x4.85	114.3x3.65	88.9x3.25	103
410SP – 9	7.50	1.25	0.30	6.25	4.50	1.50	1.50	139.7x5.40	114.3x3.65	88.9x3.25	110
410SP – 10	8.00	1.50	0.30	6.50	4.50	1.75	1.75	114.3x3.65	88.9x3.25	76.1x3.25	70
410SP – 11	8.00	1.50	0.30	6.50	4.50	1.75	1.75	114.3x4.50	88.9x4.05	76.1x3.25	83
410SP – 12	8.00	1.50	0.30	6.50	4.50	1.75	1.75	114.3x5.40	88.9x4.85	76.1x3.25	97
410SP – 13	8.00	1.50	0.30	6.50	4.50	1.75	1.75	139.7x4.50	114.3x3.65	88.9x3.25	101
410SP – 14	8.00	1.50	0.30	6.50	4.50	1.75	1.75	139.7x4.85	114.3x4.50	88.9x3.25	111
410SP – 15	8.00	1.50	0.30	6.50	4.50	1.75	1.75	139.7x5.40	114.3x4.50	88.9x3.25	119
410SP – 16	8.50	1.50	0.30	7.00	5.00	1.75	1.75	114.3x3.65	88.9x3.25	76.1x3.25	75
410SP – 17	8.50	1.50	0.30	7.00	5.00	1.75	1.75	114.3x4.50	88.9x4.05	76.1x3.25	89
410SP – 18	8.50	1.50	0.30	7.00	5.00	1.75	1.75	114.3x5.40	88.9x4.85	76.1x3.25	104
410SP – 19	8.50	1.50	0.30	7.00	5.00	1.75	1.75	139.7x4.50	114.3x3.65	88.9x3.25	109
410SP – 20	8.50	1.50	0.30	7.00	5.00	1.75	1.75	139.7x4.85	114.3x3.65	88.9x3.25	115
410SP – 21	8.50	1.50	0.30	7.00	5.00	1.75	1.75	139.7x5.40	114.3x4.50	88.9x3.25	129
410SP – 22	8.50	1.50	0.30	7.00	5.00	1.75	1.75	165.1x4.50	139.7x4.50	114.3x3.65	141
410SP – 23	8.50	1.50	0.30	7.00	5.00	1.75	1.75	165.1x4.85	139.7x4.50	114.3x3.65	148
410SP – 24	8.50	1.50	0.30	7.00	5.00	1.75	1.75	165.1x5.40	139.7x4.50	114.3x3.65	158



Octagonal Poles

# SWAGED STEEL TUBULAR POLES

AS PER IS : 2713 (PART - II) 1980

DESIGNATION	OVER ALL LENGTH	PLANT-ING DEPTH	LOAD APPLIED FROM TOP DISTANCE	HEIGHT ABOVE GROUND H	LENGTH OF SECTIONS			OUTSIDE DIAMETER & THICKNESS OF SECTIONS			APPROX WEIGHT OF POLE
					BOTTOM H <sub>3</sub>	MIDDLE H <sub>2</sub>	TOP H <sub>1</sub>	BOTTOM	MIDDLE	TOP	
1	2 (Mtr.)	3 (Mtr.)	4 (Mtr.)	5 (Mtr.)	6 (Mtr.)	7 (Mtr.)	8 (Mtr.)	9 (MM)	10 (MM)	11 (MM)	12 (Kg.)
410SP – 25	9.00	1.50	0.30	7.50	5.00	2.00	2.00	114.3x3.65	88.9x3.25	76.1x3.25	78
410SP – 26	9.00	1.50	0.30	7.50	5.00	2.00	2.00	114.3x4.50	88.9x4.05	76.1x3.25	92
410SP – 27	9.00	1.50	0.30	7.50	5.00	2.00	2.00	114.3x5.40	88.9x4.85	76.1x3.25	108
410SP – 28	9.00	1.50	0.30	7.50	5.00	2.00	2.00	139.7x4.50	114.3x3.65	88.9x3.25	113
410SP – 29	9.00	1.50	0.30	7.50	5.00	2.00	2.00	139.7x4.85	114.3x4.50	88.9x3.25	125
410SP – 30	9.00	1.50	0.30	7.50	5.00	2.00	2.00	139.7x5.40	114.3x4.50	88.9x3.25	133
410SP – 31	9.00	1.50	0.30	7.50	5.00	2.00	2.00	165.1x4.50	139.7x4.50	114.3x3.65	147
410SP – 32	9.00	1.50	0.30	7.50	5.00	2.00	2.00	165.1x4.85	139.7x4.50	114.3x3.65	154
410SP – 33	9.00	1.50	0.30	7.50	5.00	2.00	2.00	165.1x5.40	139.7x4.50	114.3x3.65	164
410SP – 34	9.50	1.80	0.60	7.70	5.00	2.25	2.25	139.7x4.50	114.3x4.50	88.9x3.25	122
410SP – 35	9.50	1.80	0.60	7.70	5.00	2.25	2.25	139.7x4.85	114.3x4.50	88.9x3.25	129
410SP – 36	9.50	1.80	0.60	7.70	5.00	2.25	2.25	139.7x5.40	114.3x4.50	88.9x3.25	137
410SP – 37	9.50	1.80	0.60	7.70	5.00	2.25	2.25	165.1x4.50	139.7x4.50	114.3x3.65	153
410SP – 38	9.50	1.80	0.60	7.70	5.00	2.25	2.25	165.1x4.85	139.7x4.50	114.3x3.65	160
410SP – 39	9.50	1.80	0.60	7.70	5.00	2.25	2.25	165.1x5.40	139.7x4.50	114.3x3.65	170
410SP – 40	10.00	1.80	0.60	8.20	5.20	2.40	2.40	139.7x4.50	114.3x4.50	88.9x3.25	128
410SP – 41	10.00	1.80	0.60	8.20	5.20	2.40	2.40	139.7x4.85	114.3x4.50	88.9x3.25	135
410SP – 42	10.00	1.80	0.60	8.20	5.20	2.40	2.40	139.7x5.40	114.3x4.50	88.9x3.25	144
410SP – 43	10.00	1.80	0.60	8.20	5.20	2.40	2.40	165.1x4.50	139.7x4.50	114.3x3.65	160
410SP – 44	10.00	1.80	0.60	8.20	5.20	2.40	2.40	165.1x4.85	139.7x4.50	114.3x3.65	168
410SP – 45	10.00	1.80	0.60	8.20	5.20	2.40	2.40	165.1x5.40	139.7x4.50	114.3x3.65	178
410SP – 46	10.00	1.80	0.60	8.20	5.20	2.40	2.40	193.7x4.85	165.1x4.50	139.7x4.50	208
410SP – 47	10.00	1.80	0.60	8.20	5.20	2.40	2.40	193.7x5.40	165.1x4.50	139.7x4.50	221
410SP – 48	10.00	1.80	0.60	8.20	5.20	2.40	2.40	193.7x5.90	165.1x4.50	139.7x4.50	233
410SP – 49	11.00	1.80	0.60	9.20	5.60	2.70	2.70	139.7x4.50	114.3x4.50	88.9x3.25	140
410SP – 50	11.00	1.80	0.60	9.20	5.60	2.70	2.70	139.7x4.85	114.3x4.50	88.9x3.25	147
410SP – 51	11.00	1.80	0.60	9.20	5.60	2.70	2.70	139.7x5.40	114.3x5.40	88.9x3.25	164
410SP – 52	11.00	1.80	0.60	9.20	5.60	2.70	2.70	165.1x4.50	139.7x4.50	114.3x3.65	175
410SP – 53	11.00	1.80	0.60	9.20	5.60	2.70	2.70	165.1x4.85	139.7x4.50	114.3x3.65	183
410SP – 54	11.00	1.80	0.60	9.20	5.60	2.70	2.70	165.1x5.40	139.7x4.50	114.3x3.65	194
410SP – 55	11.00	1.80	0.60	9.20	5.60	2.70	2.70	193.7x4.85	165.1x4.50	139.7x4.50	227
410SP – 56	11.00	1.80	0.60	9.20	5.60	2.70	2.70	193.7x5.40	165.1x4.50	139.7x4.50	241
410SP – 57	11.00	1.80	0.60	9.20	5.60	2.70	2.70	193.7x5.90	165.1x4.85	139.7x4.50	256
410SP – 58	12.00	2.00	0.60	10.00	5.80	3.10	3.10	165.1x4.50	139.7x4.50	114.3x3.65	186
410SP – 59	12.00	2.00	0.60	10.00	5.80	3.10	3.10	165.1x4.85	139.7x4.50	114.3x3.65	197
410SP – 60	12.00	2.00	0.60	10.00	5.80	3.10	3.10	165.1x5.40	139.7x4.50	114.3x3.65	208
410SP – 61	12.00	2.00	0.60	10.00	5.80	3.10	3.10	193.7x4.85	165.1x4.50	139.7x4.50	245
410SP – 62	12.00	2.00	0.60	10.00	5.80	3.10	3.10	193.7x5.40	165.1x4.50	139.7x4.50	259
410SP – 63	12.00	2.00	0.60	10.00	5.80	3.10	3.10	193.7x5.90	165.1x4.85	139.7x4.50	277

# SWAGED STEEL TUBULAR POLES

AS PER IS : 2713 (PART - II) 1980

DESIGNATION	OVER ALL LENGTH	PLANT-ING DEPTH	LOAD APPLIED FROM TOP DISTANCE	HEIGHT ABOVE GROUND H	LENGTH OF SECTIONS			OUTSIDE DIAMETER & THICKNESS OF SECTIONS			APPROX WEIGHT OF POLE
					BOTTOM H <sub>3</sub>	MIDDLE H <sub>2</sub>	TOP H <sub>1</sub>	BOTTOM	MIDDLE	TOP	
1	2 (Mtr.)	3 (Mtr.)	4 (Mtr.)	5 (Mtr.)	6 (Mtr.)	7 (Mtr.)	8 (Mtr.)	9 (MM)	10 (MM)	11 (MM)	12 (Kg.)
410SP – 64	12.00	2.00	.60	10.00	5.80	3.10	3.10	219.1x4.85	193.7x4.85	165.1x4.50	292
410SP – 65	12.00	2.00	.60	10.00	5.80	3.10	3.10	219.1x5.60	193.7x4.85	165.1x4.50	313
410SP – 66	12.00	2.00	.60	10.00	5.80	3.10	3.10	219.1x5.90	193.7x4.85	165.1x4.50	322
410SP – 67	13.00	2.00	.60	11.00	5.80	3.60	3.60	193.7x4.85	165.1x4.50	139.7x4.50	261
410SP – 68	13.00	2.00	.60	11.00	5.80	3.60	3.60	193.7x5.40	165.1x4.85	139.7x4.50	281
410SP – 69	13.00	2.00	.60	11.00	5.80	3.60	3.60	193.7x5.90	165.1x5.40	139.7x4.50	302
410SP – 70	13.00	2.00	.60	11.00	5.80	3.60	3.60	219.1x4.85	193.7x4.85	165.1x4.50	312
410SP – 71	13.00	2.00	.60	11.00	5.80	3.60	3.60	219.1x5.60	193.7x4.85	165.1x4.50	333
410SP – 72	13.00	2.00	.60	11.00	5.80	3.60	3.60	219.1x5.90	193.7x4.85	165.1x4.50	343
410SP – 73	14.50	2.00	.60	12.50	6.50	4.00	4.00	193.7x5.40	165.1x4.85	139.7x4.50	312
410SP – 74	14.50	2.00	.60	12.50	6.50	4.00	4.00	193.7x5.90	165.1x5.40	139.7x4.50	336
410SP – 75	14.50	2.00	.60	12.50	6.50	4.00	4.00	219.1x5.60	193.7x4.85	165.1x4.50	370
410SP – 76	14.50	2.00	.60	12.50	6.50	4.00	4.00	219.1x5.90	193.7x4.85	165.1x4.50	380
410SP – 77	16.00	2.30	.60	13.70	7.00	4.50	4.50	193.7x5.40	165.1x4.85	139.7x4.50	341
410SP – 78	16.00	2.30	.60	13.70	7.00	4.50	4.50	193.7x5.90	165.1x5.40	139.7x4.50	367
410SP – 79	16.00	2.30	.60	13.70	7.00	4.50	4.50	219.1x5.60	193.7x4.85	165.1x4.50	405
410SP – 80	16.00	2.30	.60	13.70	7.00	4.50	4.50	219.1x5.90	193.7x4.85	165.1x4.50	416

## TOLERANCES

1. OUTSIDE Diameter	+ 1%	4. Weight	
2. Thickness	+ Not Limited	For bulk supplies	7.5 %
	- t 10 %	For any single pole	10 %
3. Length		5. Straightness	
on the length of any section	+ 40 mm	the finished pole shall not be out of	
on the overall length of pole	+ 25 mm	straightness by more 1/1600of its length.	

- Based on the assumption that steel weights 7.85g/cm<sup>3</sup>\* Before making a selection of pole it is necessary to assume a suitable factor of safety has to be applied on the breaking load or the crippling load of the pole as the case may be depending on the relevant electricity rules to obtain the working load.
- Value of working load of the poles with a factor of safety of 2 on crippling load and a Factor 2.5 on breaking load are both given in tables 1&2 in Indian standard book. The user will have to calculate the working load if different actors of safety other then those stated above are applied.
- Length the tolerance of the length of section shall be follows: On the length of section + 40mm. On the overall length +10mm.
- The mean weight for bulk supplied shall not be more than 5% below the calculated value the weight of any single pole shall not fall below the calculated weight more than 7.5%.
- Permissible tolerance on the tube thickness 10%.



Octagonal Poles

# LICENSE & ISO CERTIFICATES



## Certificate of Registration

This is to certify that

**OCTAGONAL POLES AND ENGINEERING PRIVATE LIMITED**  
AMTA INDUSTRIAL PARK, AMTA, HOWRAH, WEST BENGAL, INDIA, 711401

has been independently assessed by QRO and is compliant with the requirement of:

### ISO 9001:2015

#### Quality Management System

For the following scope of activities:

**MANUFACTURE OF FABRICATED METAL COMPONENTS, STRUCTURAL METAL PRODUCTS AND EQUIPMENT.**

Date of Initial Registration: 16th June 2025      Certificate Expiry: 15th June 2028  
Date of this Certificate: 16th June 2025      Recertification Due: 15th June 2028

**Certificate Number: 305025061612Q**





Head of Certification

Validity of this certificate is subject to annual surveillance audits to be done successfully on or before 365 days from date of the audit. (In case surveillance audit is not allowed to be conducted; this certificate shall be suspended / withdrawn).

The Validity of this certificate can be verified at [www.qrocert.org](http://www.qrocert.org)

This certificate of registration remains the property of QRO Certification LLP, and shall be returned immediately upon request.

India Office : QRO Certification LLP  
142, 1st Floor, Avtar Enclave, Near Paschim Vihar West Metro Station, Delhi-110063, (INDIA)  
Website : [www.qrocert.org](http://www.qrocert.org) E-mail : [info@qrocert.org](mailto:info@qrocert.org)



भारत सरकार  
Government of India  
सूक्ष्म, लघु एवं मध्यम उद्यम मंत्रालय  
Ministry of Micro, Small and Medium Enterprises

## UDYAM REGISTRATION CERTIFICATE

Our small hands to make you LARGE

UDYAM REGISTRATION NUMBER	UDYAM-WB-10-0020894				
NAME OF ENTERPRISE	MS OCTAGONAL POLES AND ENGINEERING PRIVATE LIMITED				
TYPE OF ENTERPRISE *	MICRO				
MAJOR ACTIVITY	MANUFACTURING				
SOCIAL CATEGORY OF ENTREPRENEUR	GENERAL				
NAME OF UNIT(S)	S.No.	Udyog Aadhaar Memorandum	Unit(s) Name		
	1	WB100027572	OCTAGONAL POLES AND ENGINEERING PRIVATE LIMITED		
OFFICIAL ADDRESS OF ENTERPRISE	Flat/Door/Block No.	3	Name of Premises/ Building		
	Village/Town	Jake town	Block		
	Road/Street/Lane	1/3 Bangur Avenue	City		
	State	WEST BENGAL	District		
	Mobile	8961243089	Email:		
			octagonalpoles@gmail.com		
DATE OF INCORPORATION / REGISTRATION OF ENTERPRISE	05/08/2019				
DATE OF COMMENCEMENT OF PRODUCTION/BUSINESS	23/11/2019				
NATIONAL INDUSTRY CLASSIFICATION CODE(S)	S.No.	NIC 2 Digit	NIC 4 Digit	NIC 5 Digit	Activity
	1	25	2511 - Manufacture of fabricated metal products, except machinery and equipment	25119 - Manufacture of other structural metal products	Manufacturing
	2	32	3200 - Other manufacturing	32009 - Manufacture of other articles n.e.c.	Manufacturing
DATE OF UDYAM REGISTRATION	12/06/2021				

\* In case of graduation (upward/reverse) of status of an enterprise, the benefit of the Government schemes will be availed as per the provisions of Notification No. S.O. 2119(E) dated 26.06.2020 issued by the MoS MSME.

Disclaimer: This is computer generated statement, no signature required. Printed from <https://udyamregistration.gov.in> & Date of printing: 12/06/2021

For any assistance, you may contact:


1. District Industries Centre: KOLKATA (WEST BENGAL)  
2. MSME-DE: KOLKATA (WEST BENGAL)

Visit : [www.msme.gov.in](http://www.msme.gov.in) ; [www.dcmsme.gov.in](http://www.dcmsme.gov.in) ; [www.champions.gov.in](http://www.champions.gov.in)

Follow us @minmsme & @msmechampions



**BE A CHAMPION with the Ministry of MSME**



भारत सरकार  
Government of India  
सूक्ष्म, लघु एवं मध्यम उद्यम मंत्रालय  
Ministry of Micro, Small and Medium Enterprises

## Udyog Aadhaar

Type of Enterprise	Micro	Small	Medium
Manufacturing	A	B	C
Services	D	E	F
UAM No.	WB100027572		

### Udyog Aadhaar Memorandum

- Aadhaar Number: AA000928H
- PRN Number: SJYASH JAISWAL
- Name of Entrepreneur: GENERAL
- Social Category of Entrepreneur: GENERAL
- Gender: Male
- Physically Handicapped: No
- Name of Enterprise: OCTAGONAL POLES AND ENGINEERING PRIVATE LIMITED
- Type of Organization: Private Limited Company
- Location of Plant Details

SN	Flat/Door/Block No.	Name of Premises/Building/Village	Road/Street/Lane	Area/Locality	City	Pin	State	District
1	DOMJUR	BIRANNAPARA	JALAN INDUSTRIAL COMPLEX, GATE NO	BIRANNAPARA	HOWRAH	711411	WEST BENGAL	HOWRAH

Official Address of Enterprise: 1/3 BANGUR AVENUE, BLOCKD, KOLKATA-700055  
District: KOLKATA      State: WEST BENGAL      PIN: 700055  
Mobile No: 8961243089      Email: octagonalpoles@gmail.com

- Date of commencement: 23/11/2019
- Previous Registration details-if any: -
- Bank Details: IFSC Code: UT180001743      Bank Account: 920020001880851
- Major Activity: MANUFACTURING

SN	NIC 2 Digit	NIC 4 Digit	NIC 5 Digit Code	Activity Type
1	25	2511 - Manufacture of fabricated metal products, except machinery and equipment	25119 - Manufacture of other structural metal products	Manufacturing
2	32	3200 - Other manufacturing	32009 - Manufacture of other articles n.e.c.	Manufacturing

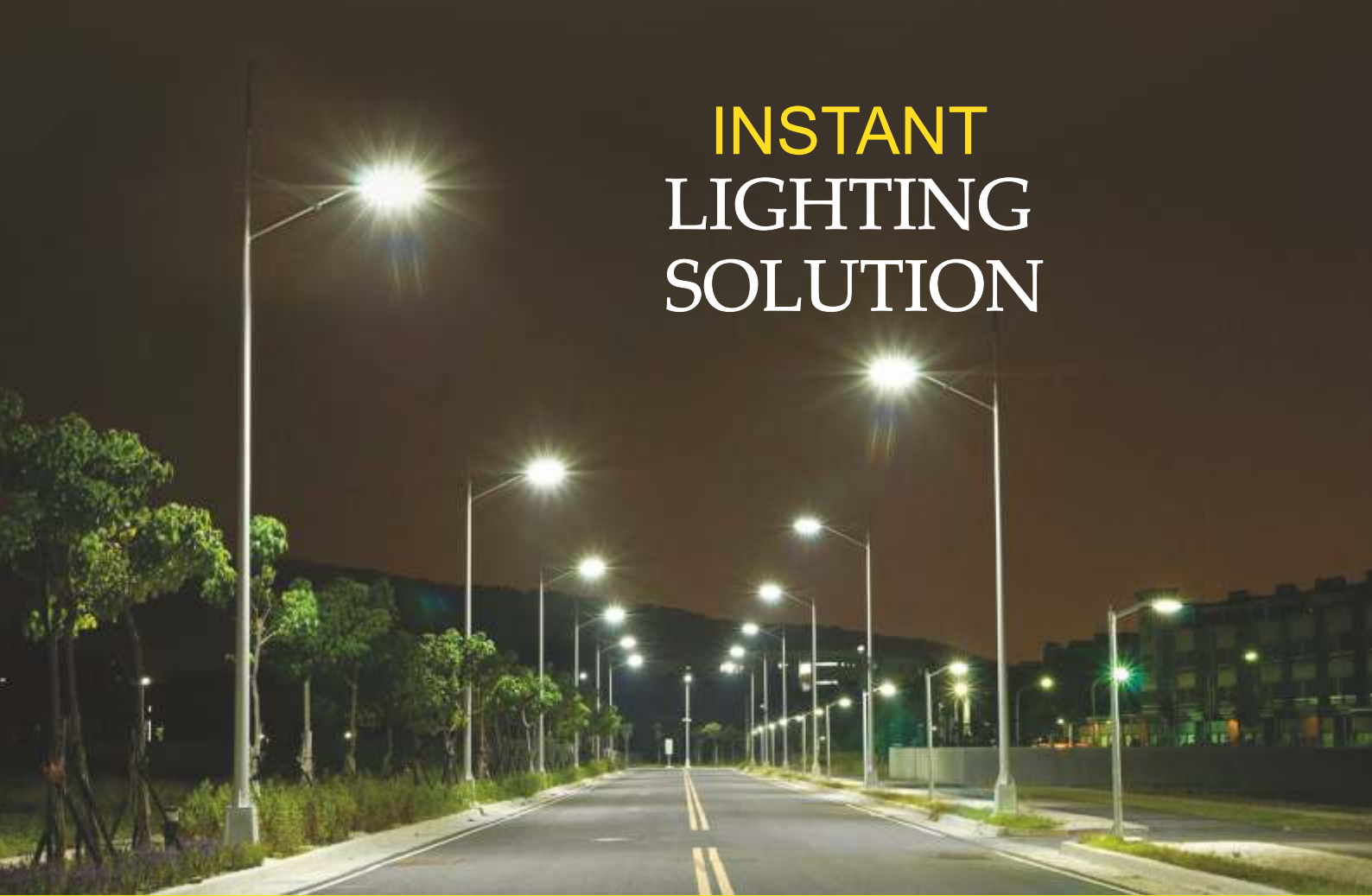
- Persons employed: 10
- Investment (Plant & Machinery / Equipment's): 300K. In Lakhs
- District Industry Centre: KOLKATA

**Declaration**  
I/We hereby declare that information given above is true to the best of my knowledge. Any information, that may be required to be verified, shall be provided immediately before the concerned authority.

MyMsme Mobile App (Beta Version) is available now for download: <https://play.google.com/store/apps/details?id=com.msme.mymsme>

Click here for Udyog Aadhaar Registration Certificate

# INSTANT LIGHTING SOLUTION



## MANUFACTURER OF

- ❖ Octagonal Poles
- ❖ High Mast Poles
- ❖ Flag Mast Poles
- ❖ Stadium Mast
- ❖ Swaged Poles
- ❖ Cantilever Poles
- ❖ Solar Light Poles
- ❖ Cast Aluminum/ Cast Iron & Ornamental Decorative Poles
- ❖ Decorative Brackets
- ❖ LED Outdoor Lighting
- ❖ LED Indoor Lighting
- ❖ Bollard Luminaires
- ❖ Facade Lighting
- ❖ Electrical Control Panel
- ❖ Pre Engineered Buildings
- ❖ Gantry Structures



## OCTAGONAL POLES & ENGINEERING PVT. LTD.

**Factory :** Amta Industrial Park-1, Amta, Howrah - 711401

### CONTACT :

Suyash Jaiswal - 8961240389

Anurag Jaiswal - 9748199495